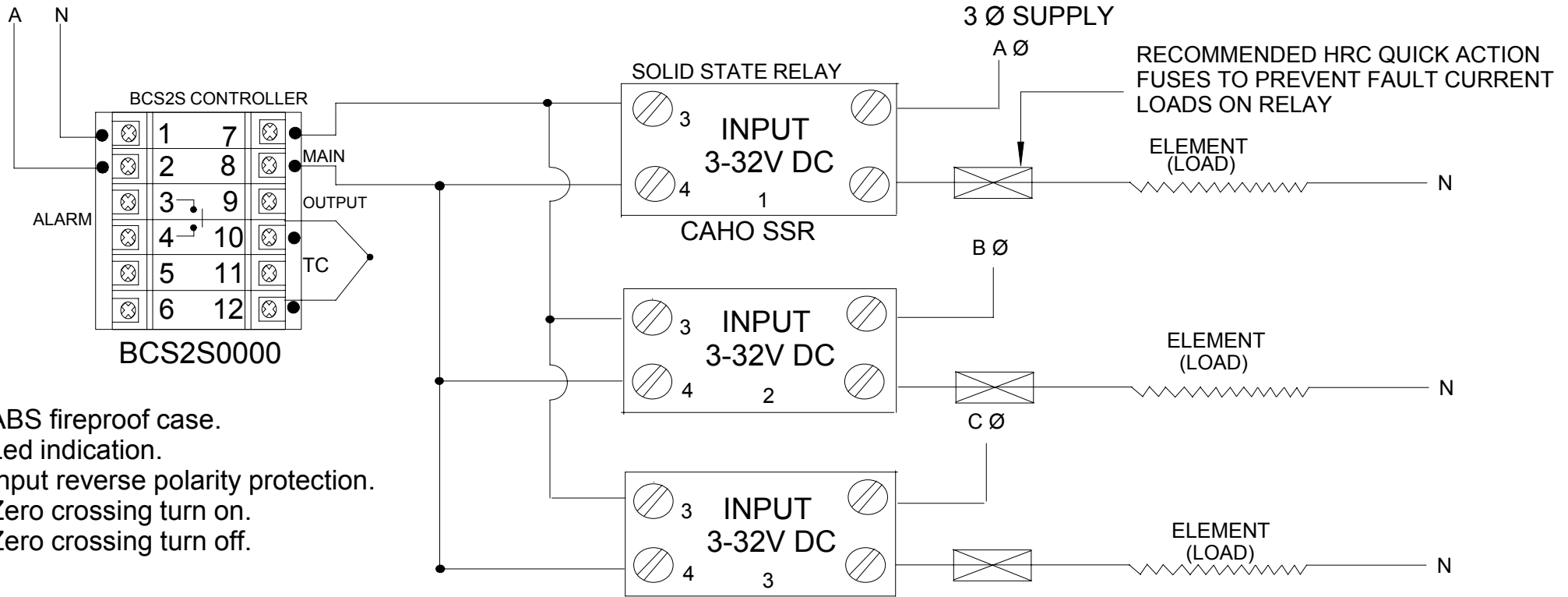


AC  
85- 240 V

# SHINKO BCS CONTROLLER THREE PHASE CONTROL



ABS fireproof case.  
Led indication.  
Input reverse polarity protection.  
Zero crossing turn on.  
Zero crossing turn off.

## DC INPUT CONTROL - CAHO SSR

Model number	Input	Output
TCSSRD4825	DC 3 - 32 V	AC 250 V - 480 V 25 AMP
TCSSRD4840	DC 3 - 32 V	AC 250 V - 480 V 40 AMP

To operate at above current ratings a heat sink is required  
(a de-rating of 50% is necessary if no heat shrink used).

Model number	Rating	Size
TC HS2	25 amp	125 x 60 x 120mm
TC HS3	40 amp	125 x 60 x 150mm

Wire termination on load side  
of SSR relay must be made  
with ring or fork cable lugs to  
prevent high resistance joints.



## TEMPERATURE CONTROLS PTY LTD

QUALITY ENDORSED COMPANY  
Certificate No: QEC 14412  
AS/NZS 9001:2008

### CONDITIONS

THIS DRAWING IS OUR  
EXCLUSIVE PROPERTY  
AND MUST NOT BE  
COPIED OR HANDED  
TO ANY OTHER PARTIES  
WITH OUT WRITTEN  
PERMISSION. IT SHALL  
BE RETURNED UPON  
REQUEST

SYDNEY: 7 YAMMA ST SEFTON NSW 2162  
PHONE: (02) 9721 8644 FAX: (02) 9738 9339  
MELBOURNE: 8/280 WHITEHALL ST YARRAVILLE VIC 3013  
PHONE: (03) 9687 0000 FAX: (03) 9687 1900  
BRISBANE: 36/121-125 KERRY RD ARCHERFIELD QLD 4108  
PHONE: (07) 3373 8424 FAX: (07) 3373 8067  
EMAIL: sales@temperature.com.au

TITLE

3 PHASE, 3 x ELEMENTS

SIZE : A4

DATE : 27/04/17

DWG NO : SD 6103

SCALE : NTS

DRAWING BY NP

REV : 01