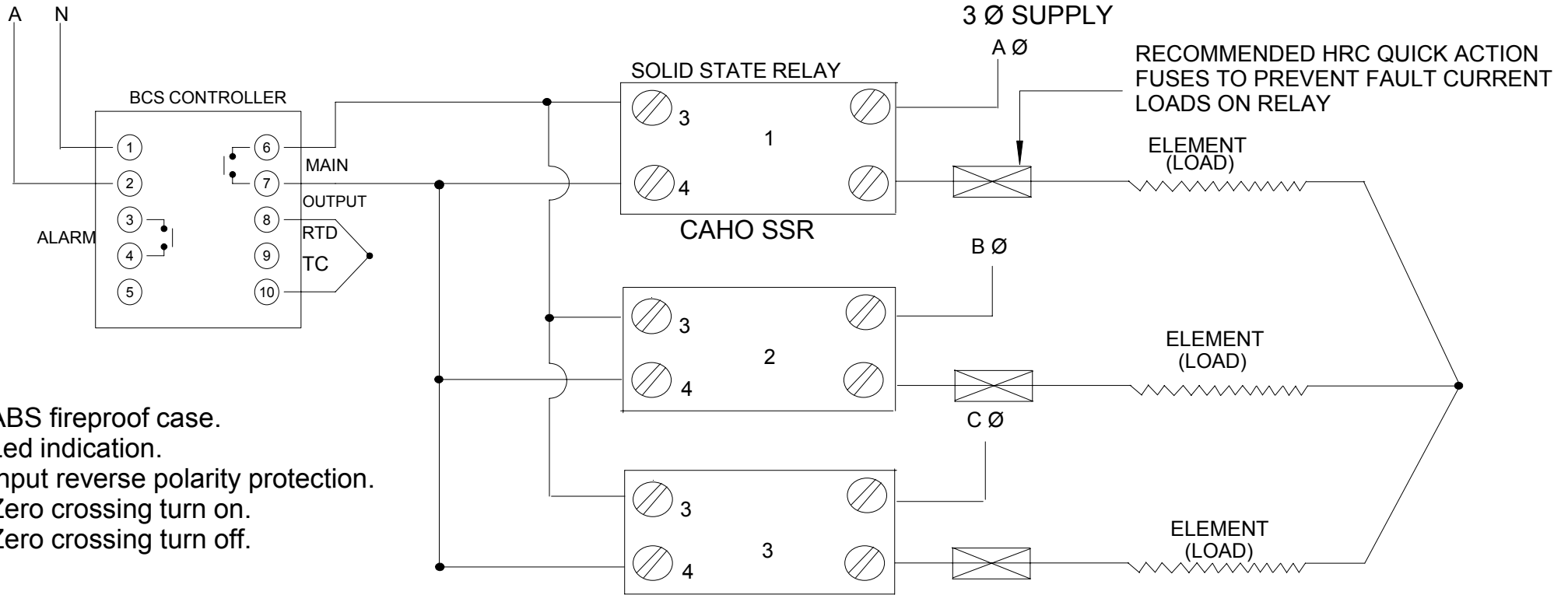


AC SUPPLY
85- 240 V

SHINKO BCS CONTROLLER THREE PHASE CONTROL - STAR



ABS fireproof case.
Led indication.
Input reverse polarity protection.
Zero crossing turn on.
Zero crossing turn off.

DC INPUT CONTROL - CAHO SSR

Model number	Input	Output
TCSSRD4825	DC 3 - 32 V	AC 250 V - 480 V 25 AMP
TCSSRD4840	DC 3 - 32 V	AC 250 V - 480 V 40 AMP

Wire termination on load side of SSR relay must be made with ring or fork cable lugs to prevent high resistance joints.



To operate at above current ratings a heat sink is required (a de-rating of 50% is necessary if no heat shrink used).

Model number	Rating	Size
TC HS2	25 amp	125 x 60 x 120mm
TC HS3	40 amp	125 x 60 x 150mm

TEMPERATURE CONTROLS PTY LTD

QUALITY ENDORSED COMPANY
Certificate No: QEC 14412
AS/NZS 9001:2008

CONDITIONS

THIS DRAWING IS OUR EXCLUSIVE PROPERTY AND MUST NOT BE COPIED OR HANDED TO ANY OTHER PARTIES WITH OUT WRITTEN PERMISSION. IT SHALL BE RETURNED UPON REQUEST

SYDNEY: 7 YAMMA ST SEFTON NSW 2162
PHONE: (02) 9721 8644 FAX: (02) 9738 9339
MELBOURNE: 8/280 WHITEHALL ST YARRAVILLE VIC 3013
PHONE: (03) 9687 0000 FAX: (03) 9687 1900
BRISBANE: 36/121-125 KERRY RD ARCHERFIELD QLD 4108
PHONE: (07) 3373 8424 FAX: (07) 3373 8067
EMAIL: sales@temperature.com.au

TITLE

3 PHASE STAR

SIZE : A4

DATE : 27/04/17

DWG NO : SD 537

SCALE : NTS

DRAWING BY NP

REV : 02